

THE LED PAPI IS THE MOST ADVANCED ON THE MARKET AND HAS THE WIDEST RANGE OF CONFIGURATIONS:

- VISIBLE AND IR OUTPUT
- PORTABLE AND PERMANENT
- ICAO / FAA / STANAG COMPLIANT
- SEVERAL POWER OPTIONS

MODEL

# PAPI

PRECISION APPROACH PATH INDICATOR

## Applications

- Permanent airfields
- Temporary airfields
- Emergency airfields
- Military & NVG operations

## Advanced Optics

The PAPI and the Abbreviated PAPI (APAPI) use patented, LED-based optics to achieve the lowest power consumption, highest intensity, and sharpest white/red transition. It exceeds ICAO / FAA / STANAG requirements to provide a clear approach path to the aviator.

## Easy Installation

The PAPI works equally well in permanent or temporary locations. Permanent mounting is easy with standard frangible mounting. Temporary deployment is fast with retractable legs and a lightweight, compact form factor.

## Power Supply Versatility

The low power consumption of the PAPI makes it mate well with several available power supplies:

- Solar kit
- Generator kit
- Battery kit
- AC only

## Controllable

Optional wireless control provides on-demand operation from up to 2.5 miles (4 km) away. There is also 3 and 5-step, wired control and local control available.

## Trusted

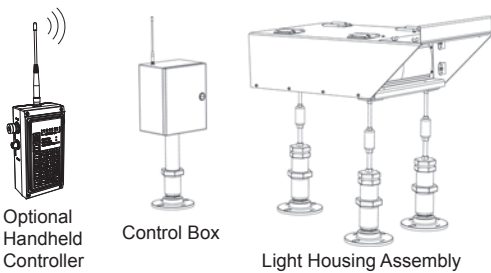
Deployed around the globe, from military to civilian airfields and from the Middle East to the Arctic Circle, the PAPI has proven it is robust.



Carmanah is backed by a worldwide network of distributors. To find yours visit [www.carmanah.com](http://www.carmanah.com) or call +1.250.380.0052 (toll-free US & Canada 1.877.722.8877)

REPRESENTED IN YOUR REGION BY:





Optional Handheld Controller

Control Box

Light Housing Assembly

2.5 mile (4 km) control range  
900 MHz FHSS with encrypted signal  
Intensity level and visible/IR control

## MODEL

# PAPI

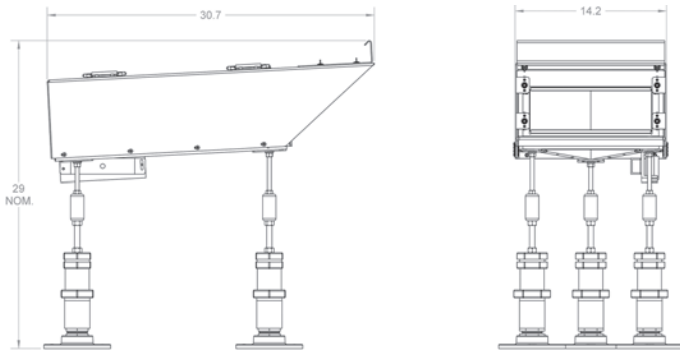
PRECISION APPROACH PATH INDICATOR

### SPECIFICATIONS

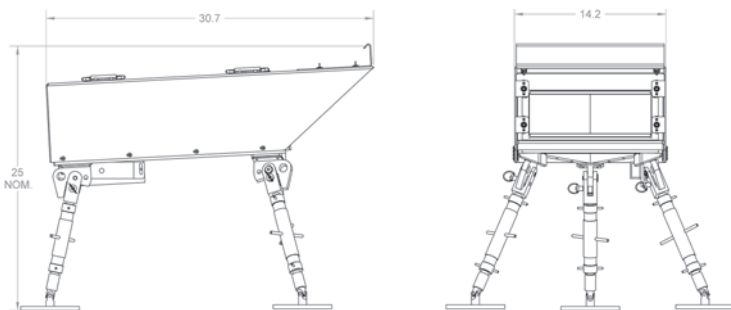
|                 |  |
|-----------------|--|
| Optical         | High-power LEDs with proper heat management ensure consistent photometrics for life of product                   |
|                 | NVG-compatible infrared (IR) LEDs  |
|                 | FAA L-880/881 & E-3007 (2 & 4 LHA) compliant   |
|                 | ICAO Annex 14 PAPI (2 & 4 LHA) & APAPI (2 LHA) compliant   |
|                 | STANAG 3316 PAPI (2 & 4 LHA) & APAPI (2 LHA) compliant   |
|                 | UFC 3-535-01 (4 LHA) compliant   |
| Power Options   | Solar kit: Solar panels and mounting, batteries and enclosures; air transportable container; AC input for backup |
|                 | Generator kit: Gas or diesel generator; AC input for backup  |
|                 | Battery kit: Batteries & enclosures; AC input for backup   |
|                 | AC only: 100 – 240 VAC 50/60 Hz; 3 and 5-step current input  |
| Control Options | Non-Wireless: AC input of 3 and 5-step current; local control  |
|                 | Wireless: 2.5 mile (4 km) control range with optional Handheld Controller; local control                         |
| Construction    | Powdercoated aluminum chassis with integrated handles  |
|                 | Aviation orange standard, yellow and other colors available  |
|                 | Stainless steel and anodized aluminum hardware   |
|                 | Integrated digital level   |
|                 | Optical glass lens   |
| Temperature     | -31 to 131 °F (-35 to 55 °C) ambient   |
| Wind Loading    | 100 mph (45 m/s)   |
| Ingress         | NEMA 4 & EN 60529 IP 55  |

### DIMENSIONS

#### PERMANENT

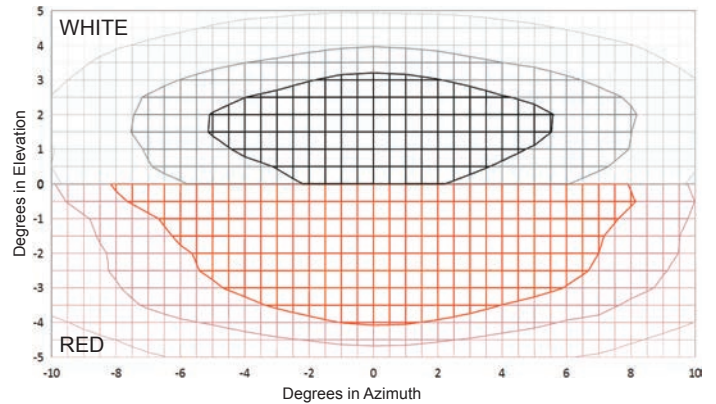


#### PORTABLE



### PHOTOMETRICS

#### PAPI ISOCANDELA



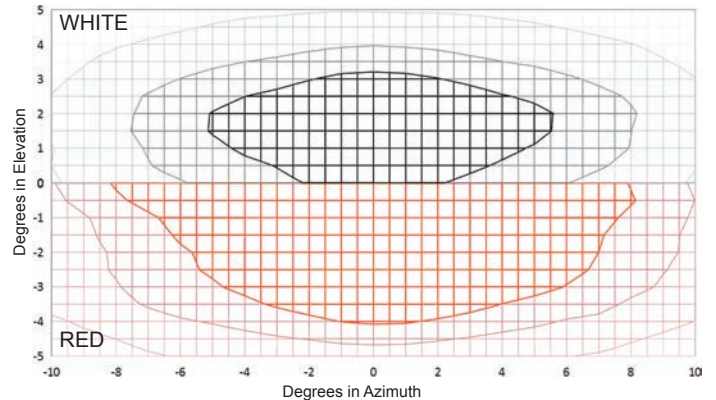
#### WHITE (cd)

- 0-10000
- 10000-20000
- 20000-30000
- 30000+

#### RED (cd)

- 0-5000
- 5000-10000
- 10000-15000
- 15000+

#### APAPI ISOCANDELA



#### WHITE (cd)

- 0-5000
- 5000-10000
- 10000-15000
- 15000+

#### RED (cd)

- 0-2500
- 2500-5000
- 5000-7500
- 7500+

### CONFIGURATION

| MODEL | SIZE ▼  | MOUNTING ▼            | OUTPUT ▼                | POWER ▼   | CONTROL ▼                |
|-------|---|-----------------------|-------------------------|---|--------------------------|
| PAPI  | ABBREVIATED 2 LHA<br>STANDARD 2 LHA<br>STANDARD 4 LHA | PERMANENT<br>PORTABLE | VISIBLE<br>VISIBLE / IR | SOLAR KIT<br>GENERATOR KIT<br>BATTERY KIT<br>AC | NON-WIRELESS<br>WIRELESS |

Options: carrying case, tactical battery pack, tilt switch (for FAA), low temperature arctic kit, custom chassis color

Specifications may be subject to change  
Carmanah is a Canadian public corporation - TSX:CMH  
© 2012, Carmanah Technologies Corp.  
Document: AVIA\_PAPI Spec Sheet\_RevB  
D-027 RevB